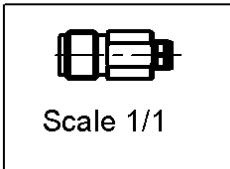
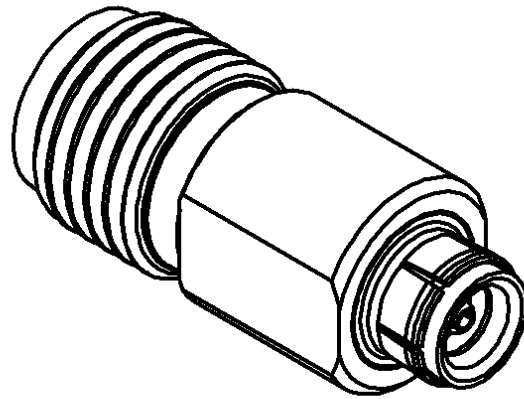
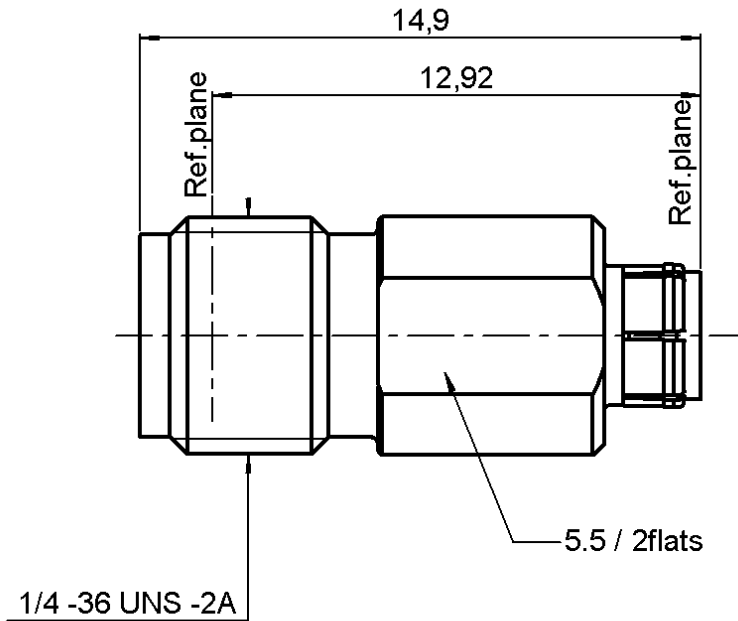


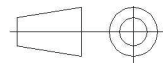
**SMA FEMALE - MMBX MALE STRAIGHT ADAPTER**

**R191.389.200**

Series : ADAPT



All dimensions are in mm.



COMPONENTS	MATERIALS	PLATINGS (µm)
BODY	BERYLLIUM COPPER	GOLD 0.2 OVER NON MAGN NICKEL 2
CENTER CONTACT	BERYLLIUM COPPER	GOLD 1.3 OVER NICKEL 2
OUTER CONTACT	BERYLLIUM COPPER	GOLD 0.2 OVER NON MAGN NICKEL 2
INSULATOR	PTFE	
GASKET		
OTHERS PARTS		
-	-	-
-	-	-

Issue : 0416 A

In the effort to improve our products, we reserve the right to make changes judged to be necessary.



**SMA FEMALE - MMBX MALE STRAIGHT ADAPTER**

**R191.389.200**

Series : ADAPT

**PACKAGING**

**SPECIFICATION**

Standard	Unit	Other
<b>1</b>	-	<b>Contact us</b>

**ELECTRICAL CHARACTERISTICS**

**ENVIRONMENTAL**

Impedance **50** Ω  
 Frequency **0-12.4** GHz  
 VSWR **1.083\*** + **0.000** x F(GHz) Maxi  
 Insertion loss **0.12** √F(GHz) dB Maxi  
 RF leakage - ( **100\*\*** - F(GHz)) dB Maxi  
 Voltage rating **330** Veff Maxi  
 Dielectric withstanding voltage **500** Veff mini  
 Insulation resistance **1000** MΩ mini

Operating temperature **-55/+155°** ° C  
 Hermetic seal **NA** Atm.cm3/s  
 Panel leakage **NA**

**OTHERS CHARACTERISTICS**

Assembly instruction **NA**

Others :  
 \* to 6 GHz  
 \*\* Interface MMBX only up to 2.5GHz

**MECHANICAL CHARACTERISTICS**

Center contact retention  
 Axial force – Mating end **10** N mini  
 Axial force – Opposite end **10** N mini  
 Torque **NA** N.cm mini

Recommended torque  
 Mating **NA** N.cm  
 Panel nut **NA** N.cm

Mating life **500** Cycles mini  
 Weight **1.977** g

Issue : 0416 A

In the effort to improve our products, we reserve the right to make changes judged to be necessary.

